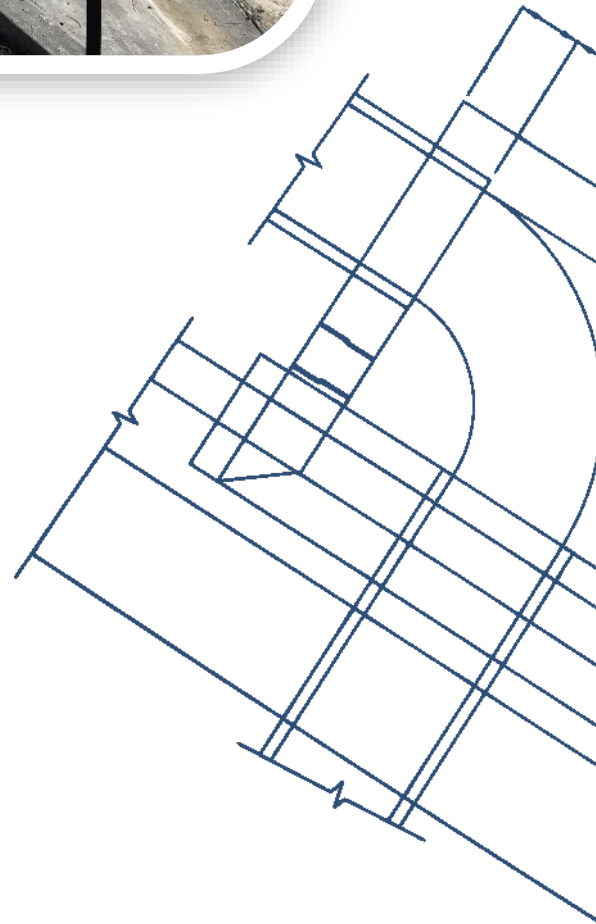
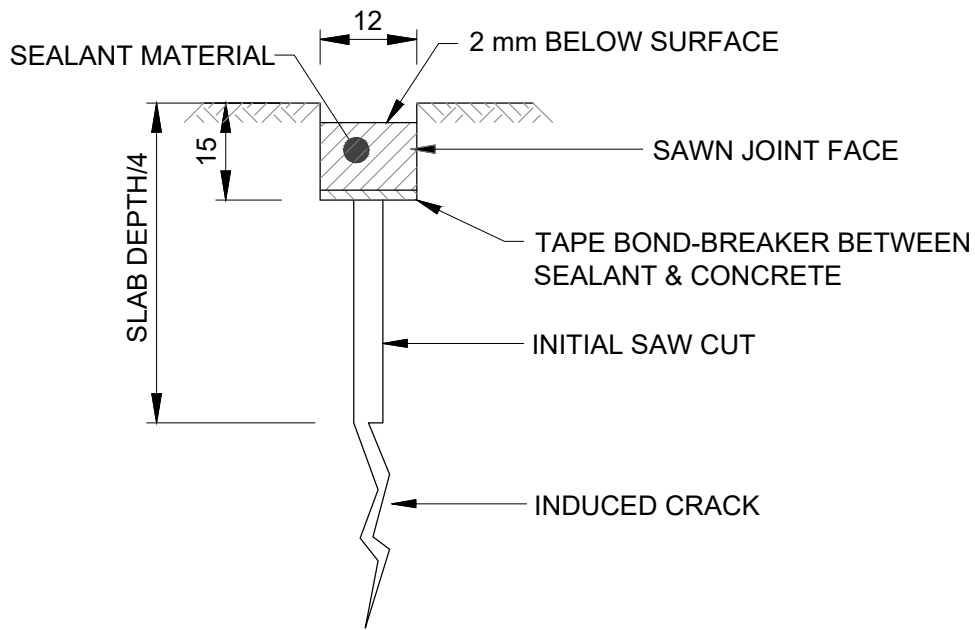


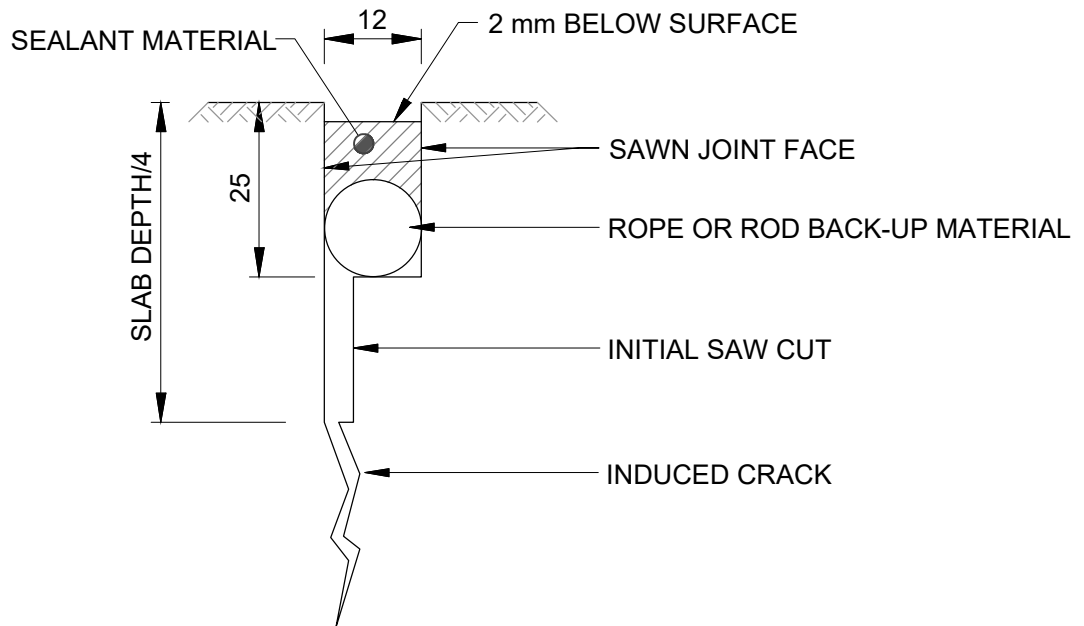
Reo Detail for Concrete



This page was intentionally left blank



SEALANT DETAIL TYPE 1



SEALANT DETAIL TYPE 2

ALL MEASUREMENTS IN MILLIMETRES



Banyule
CITY COUNCIL

**REINFORCED CONCRETE
PAVEMENT SEALANT DETAILS**

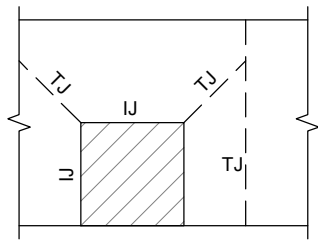
Banyule's Standard Drawings
A copy can be found on Banyule's website
www.banyule.vic.gov.au

Approved by: James Kelly
Manager Delivery & Assets

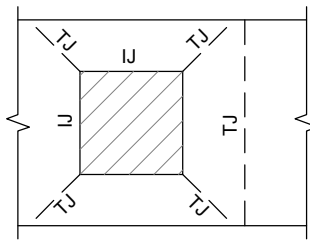
LAST UPDATED JULY 2019

A 150

NOT TO SCALE



PIT / ACCESS HOLE AT EDGE (PLAN)

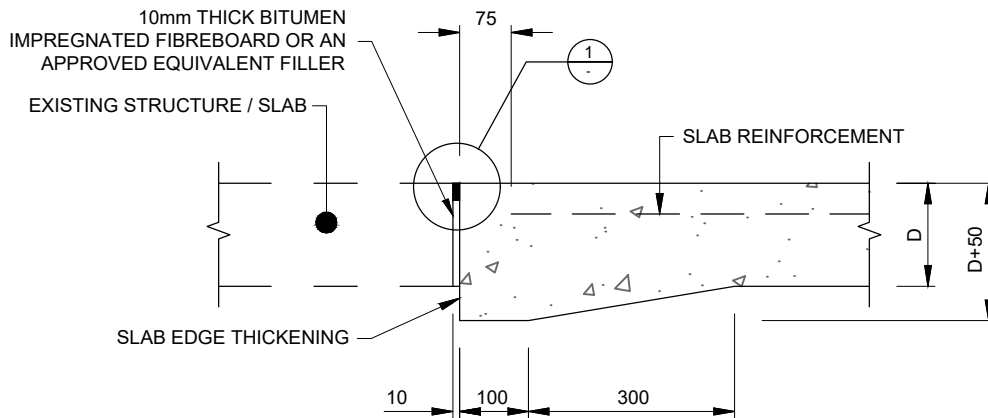


PIT / ACCESS HOLE NOT AT EDGE (PLAN)

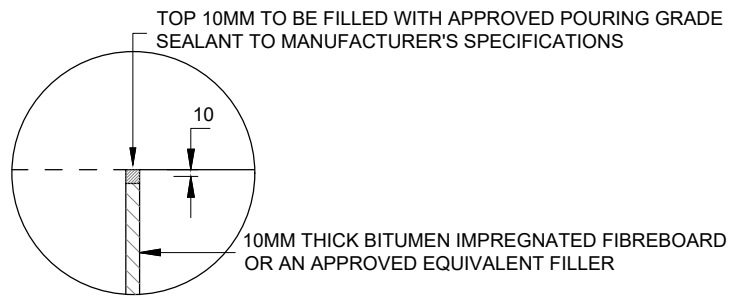
LEGEND:

ISOLATION JOINT ——— IJ

TOOLED JOINTS — — TJ



TYPICAL SECTION



DETAIL 1
NOT TO SCALE

NOTES:

1. EXPANSION FOAM TO BE USED AT PERIMETER OF ANY PIT
2. ALL SQUARE AND RECTANGULAR PIT/ACCESS HOLES MUST HAVE TOOL JOINTS AT 45 DEGREE ANGLE TO THE HORIZONTAL OR VERTICAL
3. 'D' DENOTES DEPTH OF PAVEMENT

ALL MEASUREMENTS IN MILLIMETRES



**REINFORCED CONCRETE
PAVEMENT ISOLATION JOINT**

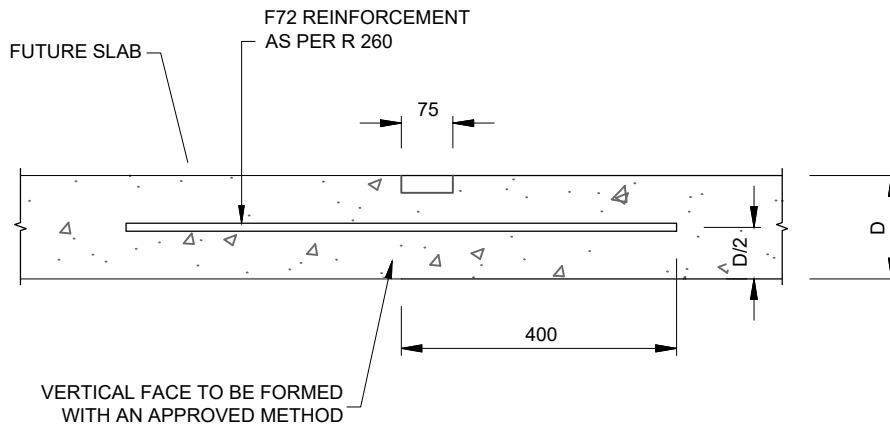
Banyule's Standard Drawings
A copy can be found on Banyule's website
www.banyule.vic.gov.au

Approved by: James Kelly
Manager Delivery & Assets

LAST UPDATED JULY 2019

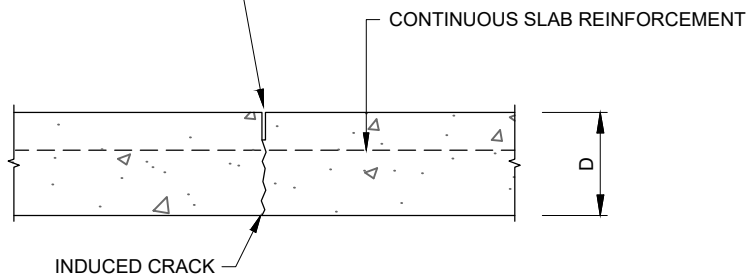
A 155

NOT TO SCALE



TYPICAL FUTURE CONSTRUCTION JOINT

5 x 40mm DEEP SAW CUT TO BE FILLED WITH APPROVED POURING GRADE SEALANT TO MANUFACTURER'S SPECIFICATIONS. TOOL SEALANT TO FORM 5MM RECESS. SEALANT COLOUR TO MATCH PAVEMENT SURROUND



TYPICAL SAWN CONTRACTION JOINT

* 'D' DENOTES DEPTH OF FOOTPATH

ALL MEASUREMENTS IN MILLIMETRES

This page was intentionally left blank