

# ANGLE OF REPOSE

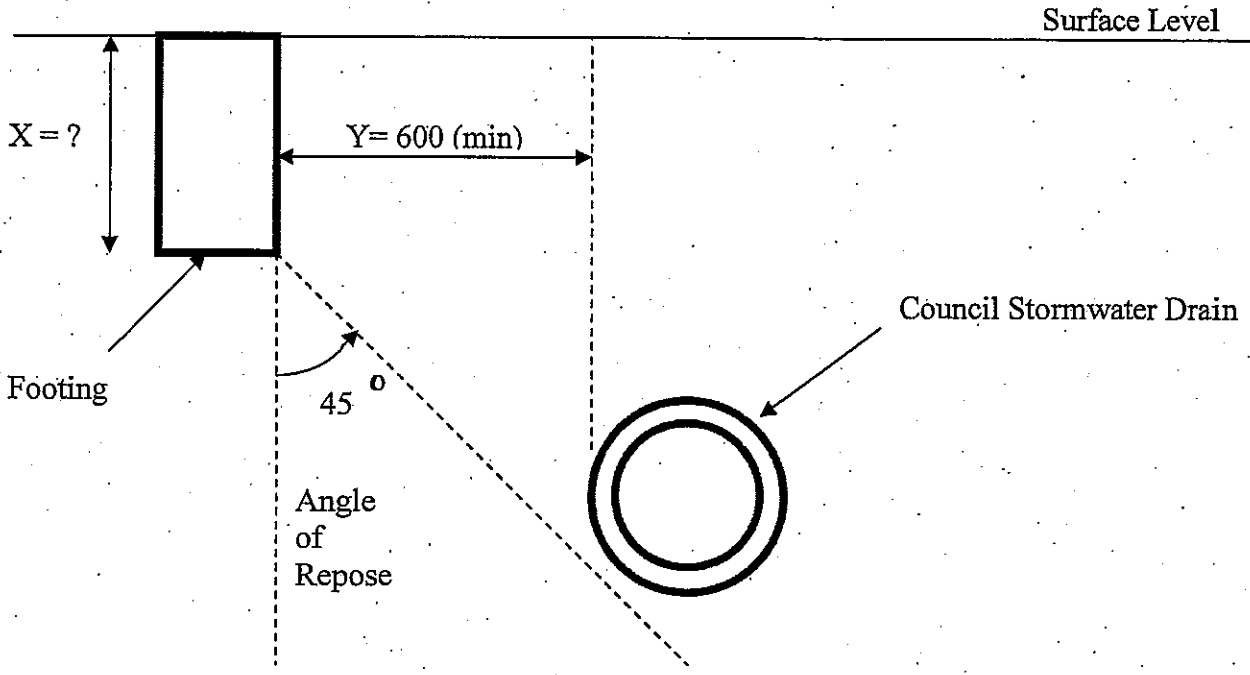


Figure 1

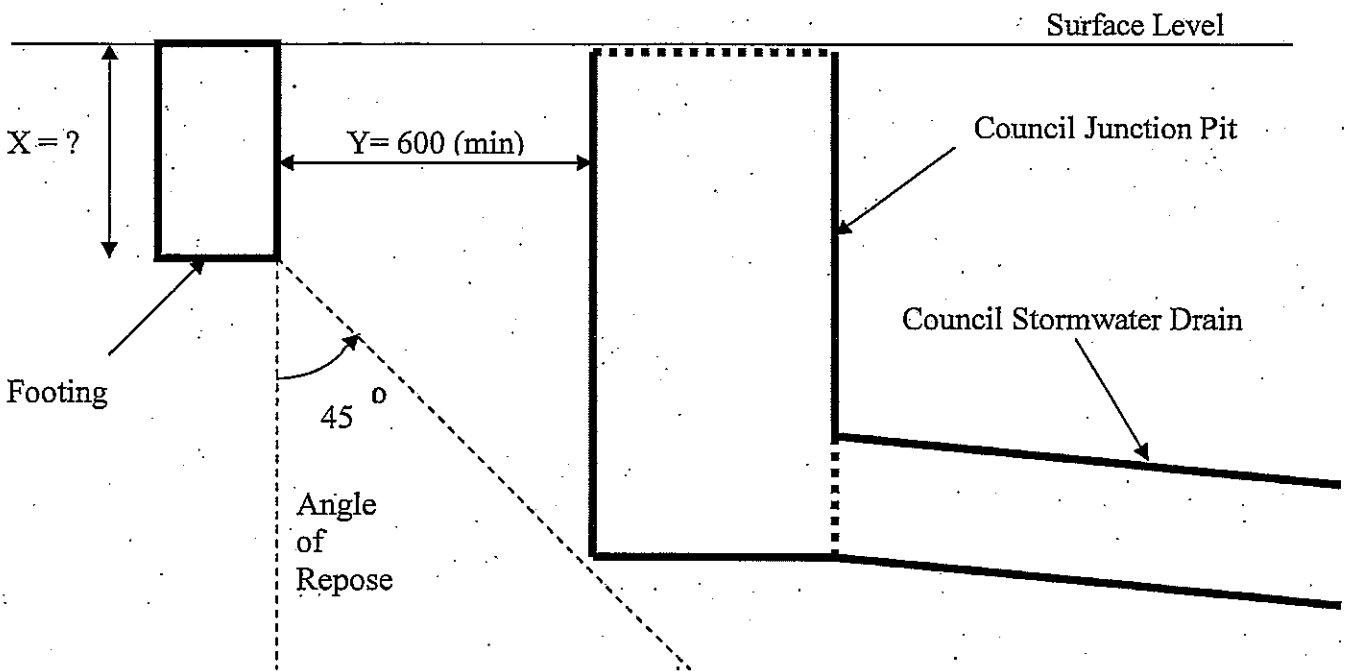


Figure 2